

- STEP 3:**
1. Put 10 pieces of Bed Slats (E) on the Bed Rails (C).
 2. Install Slat Pack with slats starting and ending flush with the end of the support cleat attached to your bed rails **Figure 1**.
 3. Using Screw driver to tighten 20 Pieces of Wood Screws (11) clockwise as shown.

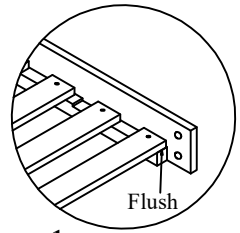
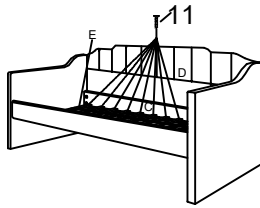
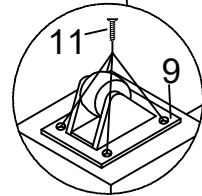
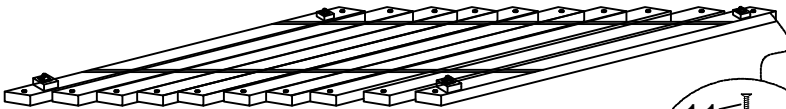


Figure 1

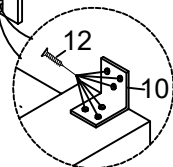
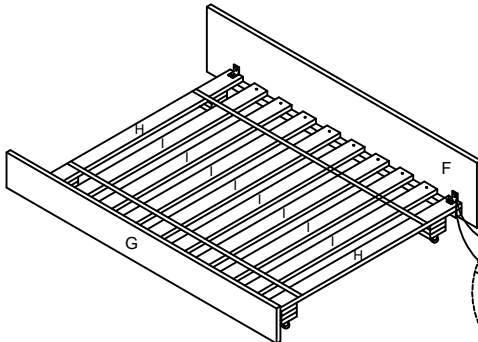
11 — 20 pcs

- STEP 4:**
1. Attach 4 pieces of Wheels (9) to the Slats under bed (H) with 16 pieces of Wood Screws (11) as shown.
 2. Use Screw driver to tighten to tighten Wood Screws (11) clockwise as shown.



11 — 16 pcs

- STEP 5:**
1. Attach both outside 2 pieces Slats of under bed (H) to Front panel of under bed (F) and Back panel of under bed (G) by 4 pieces of L metal connector (10), as shown.
 2. Use Screw driver to tighten 24 pieces of Wood Screws (12), as shown.



12 — 24 pcs